

Fanbeam® 5

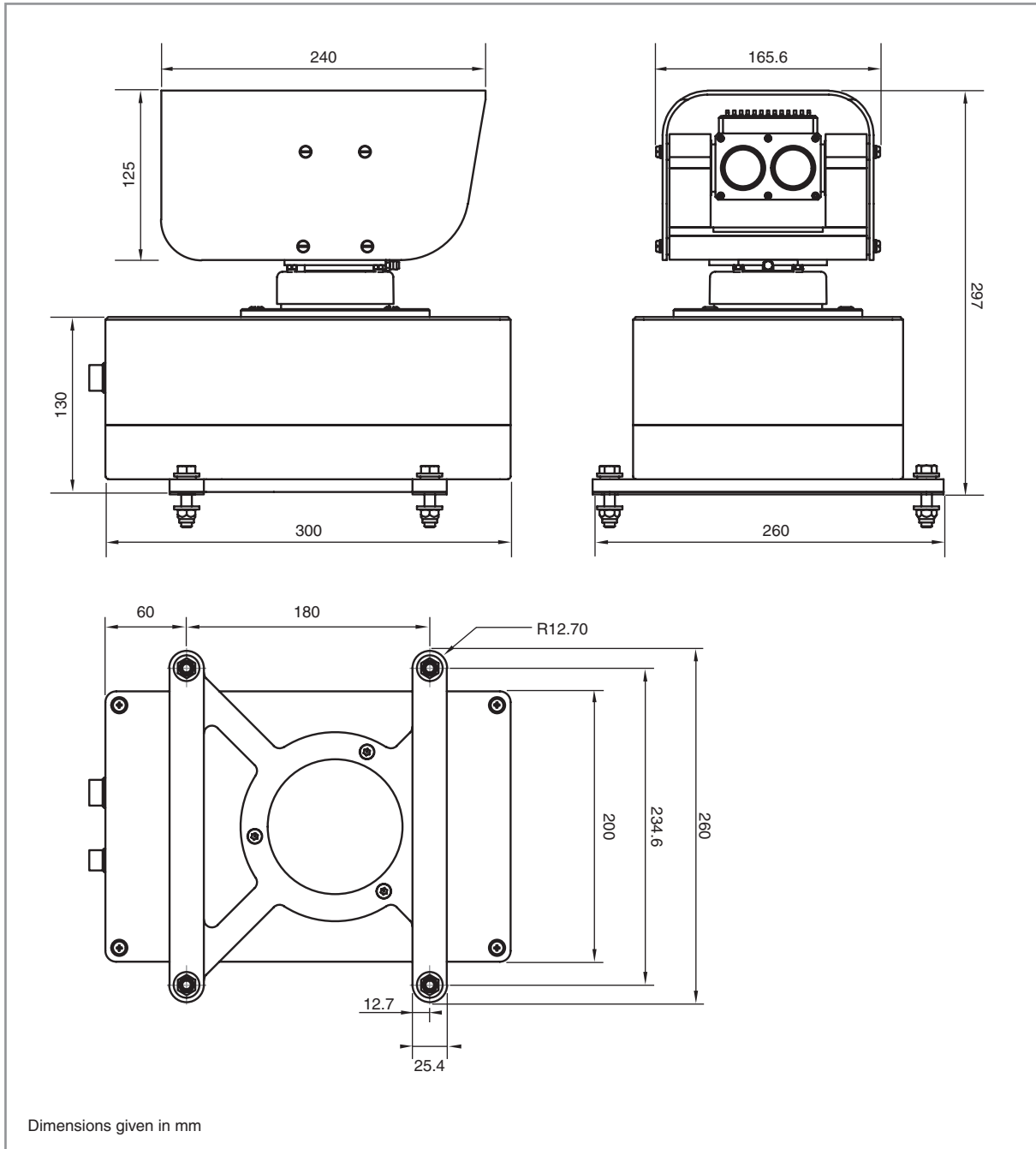
www.techmak.co.uk

Specification

Laser	
Type	Semiconductor laser diode, 905 nm
Accuracy	20 cm
Maximum range	2000 m
Rep rate	7.5 kHz
Beam divergence	Vertical: 18° / horizontal: 2.5 mrad
Laser classification (BS EN 60825-1: 2007) (21 CFR 1040.10 and 1040.11 except for deviations pursuant to Laser No. 50, dated 24 June 2007)	Class 1
Motorised yoke	
Gearbox	Stepper-driven worm and wheel
Scan speed	Software selectable up to 50 °/s
Horizontal angle range	0° to 360°
Horizontal resolution	0.01°
Auto-tilt mechanism	
Gearbox	Servo-driven worm and wheel
Range	-15° to +15°
Communication	
Sensor to control system	20 mA current loop (9600 baud rate)
DP Feed	RS232/RS422/Ethernet telegrams for all major DP types
Environmental	
Operating temperature	-25 °C to +70 °C
Water/dust resistant	IP66
Compliance	EN 60945/EN 60950-1:2002
Vibration	DNV standard for certification no. 24 April 2001, section 3.6
Mechanical	
Enclosure construction	Machined aluminium
Sensor dimensions (W x L x H)	200 mm x 300 mm x 290 mm
Sensor weight	12.9 kg
Power supply unit	
Universal input	85 V-264 V ac / 47-440 Hz
Output	28 V dc 3.5 A
Control system	
CPU	1.1 GHz
Operating system	Windows XP embedded or Windows Embedded Standard
Touchscreen	Optional
Monitor	Various options
Monitor resolution	1024 x 768 x 16 k
Data comms	3 x RS232 / 2 x RS422 / 2 x Ethernet
Targets	
Recommended	Prism clusters offer optimum range and signal clarity
Alternative	Reflective tube target

For further information and the best possible application and performance support please contact Techmak or visit www.techmak.co.uk

Fanbeam 5 dimensions



TECHMAK HAS MADE CONSIDERABLE EFFORTS TO ENSURE THE CONTENT OF THIS DOCUMENT IS CORRECT AT THE DATE OF PUBLICATION BUT MAKES NO WARRANTIES OR REPRESENTATIONS REGARDING THE CONTENT. TECHMAK EXCLUDES LIABILITY, HOWSOEVER ARISING, FOR ANY INACCURACIES IN THIS DOCUMENT.